



ULMUSEP

Design by Sandro Santantonio

Collection consisting of ceiling or wall lamps, suspended lamps and table lamps with metal frame and removable, washable elastic fabric covering. Available in several colours and sizes.

Typology: TABLE LAMP

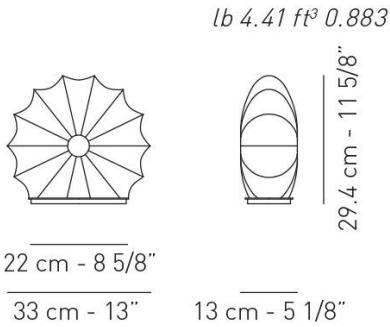
Ratings

- E12 or GU24 LED
- Diffused light
- Table lamp, plug-in
- Power supply 120V AC
- Switch mode: on-off
- Steel frame, painted

GU24 LED VERSION

- CCT 2700 K, CRI 80
- Dimmable ELV trailing edge, phase cut LED bulb

Product code composition



MUSE

Type	Article	Colours	Finish	Source
UL	MUSE P X	BC white	XX white metal	<p>E12 1 x Max 7W LED or 1 x Max 13W fluo</p> <p>LED GU24 1x15W - included 120V_{AC} - CRI80 diffused beam - 2700K 1600 lm - 107 lm/W</p> LED



DRY LOCATION

example composition code |UL |MUSEPX |BC |XX |E12

Silk stretch fabric

Comp. 80% polyamide, 20% elastane (Spandex).

Weight 195/215 gr/m² for white BC.

Light fastness (ISO 105 B02) from 3 to 6
Glow wire 850°C for white BC.

Available colours



BC
White

ULMUSEPXCXX_ _ _

CUSTOMER _____

NOTES _____

Luminous flux for all built-in LED luminaires is shown at source level.
Technical data could be subject to alteration without notice. Axo Light does not provide legal guarantee for the accuracy of this data sheet.